



DAP FX

550+ POLSER SEKURLAST



Offset mulcher of high range with forestry rotor, for works in agricultural margins, banks, highways, channels, roads and others clears of public works for tractors between 140-200 HP. It incorporates safety system thanks to a valve positioned in the cylinder of elevation of the arm.
 Angulation +90° / -50°.
 Rotor POLSER + of 550 mm Ø with forestry SERRAT hammer swinging 360°.

CHARACTERISTICS

- ▶ Non-wear steel-plate chassis, thickness 10 mm.
- ▶ Rotor POLSER + of Ø 550 mm.
- ▶ External gearbox SERRAT.
- ▶ 4 XPC side belt transmission.
- ▶ Double transmission with a centre shaft and homocinetic knot on the second transmission.
- ▶ Supports of bearing rotor in steel.
- ▶ Height-adjustable rear roller Ø 210 mm.
- ▶ PTO 750 rpm.
- ▶ High speed and high strength bearings.
- ▶ Front protection curtain.
- ▶ Front skid shoes.
- ▶ Double bearing on rear roller.
- ▶ Angulation +90°/-50°.
- ▶ Hydraulic lateral offset mulcher.
- ▶ Safety valve.
- ▶ Model built under EC Normative.
- ▶ Safety indicators visible to personnel.



Centre shaft with homocinetic knot



Forestry SERRAT Hammer



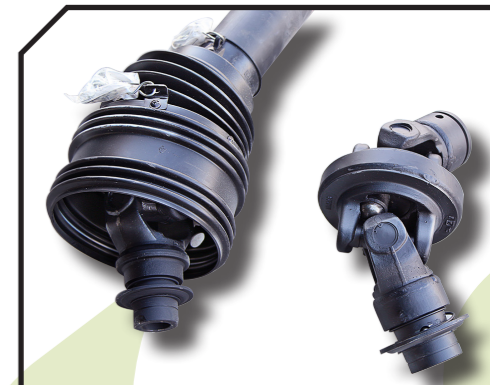
Angulation +90°



-50°

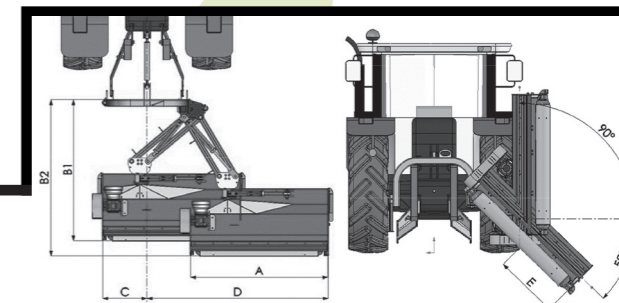


Homokinetic join on the second drive shafts



OPTIONS

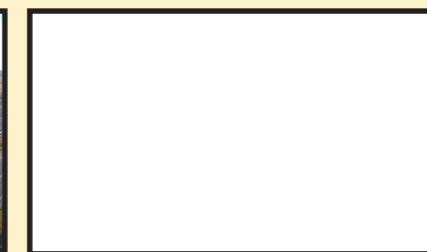
- ▶ Internal gearbox



MODEL	mm	KW-HP.	KG	Nº BELTS TYPE	A mm-in	B1 mm-in	B2 mm-in	C mm-in	D mm-in	E mm-in		
T-1600	1600	104 - 140 149 - 200	12	1600	4 XPC	1600-63"	2981-117"	3004-118"	608-24"	2335-92"	439-17"	750
T-1800	1800	104 - 140 149 - 200	16	1800	4 XPC	1800-71"	2981-117"	3004-118"	608-24"	2535-100"	639-25"	750
T-2000	2000	104 - 140 149 - 200	16	2050	4 XPC	2000-79"	2981-117"	3004-118"	608-24"	2735-108"	839-33"	750
T-2300	2300	104 - 140 149 - 200	20	2300	4 XPC	2300-91"	2981-117"	3004-118"	608-24"	3035-119"	1139-45"	750
T-2500	2500	104 - 140 149 - 200	24	2400	4 XPC	2500-98"	2981-117"	3004-118"	608-24"	3235-128"	1339-53"	750



Carretera nacional 240 km. 149,3
 22310 Castejón del Puente (Huesca)-España
 Tfno. (+34) 974 417 830
 www.serrat.com - comercial@serrat.es



The data presented in this catalog are provided for information purposes only and are not binding.